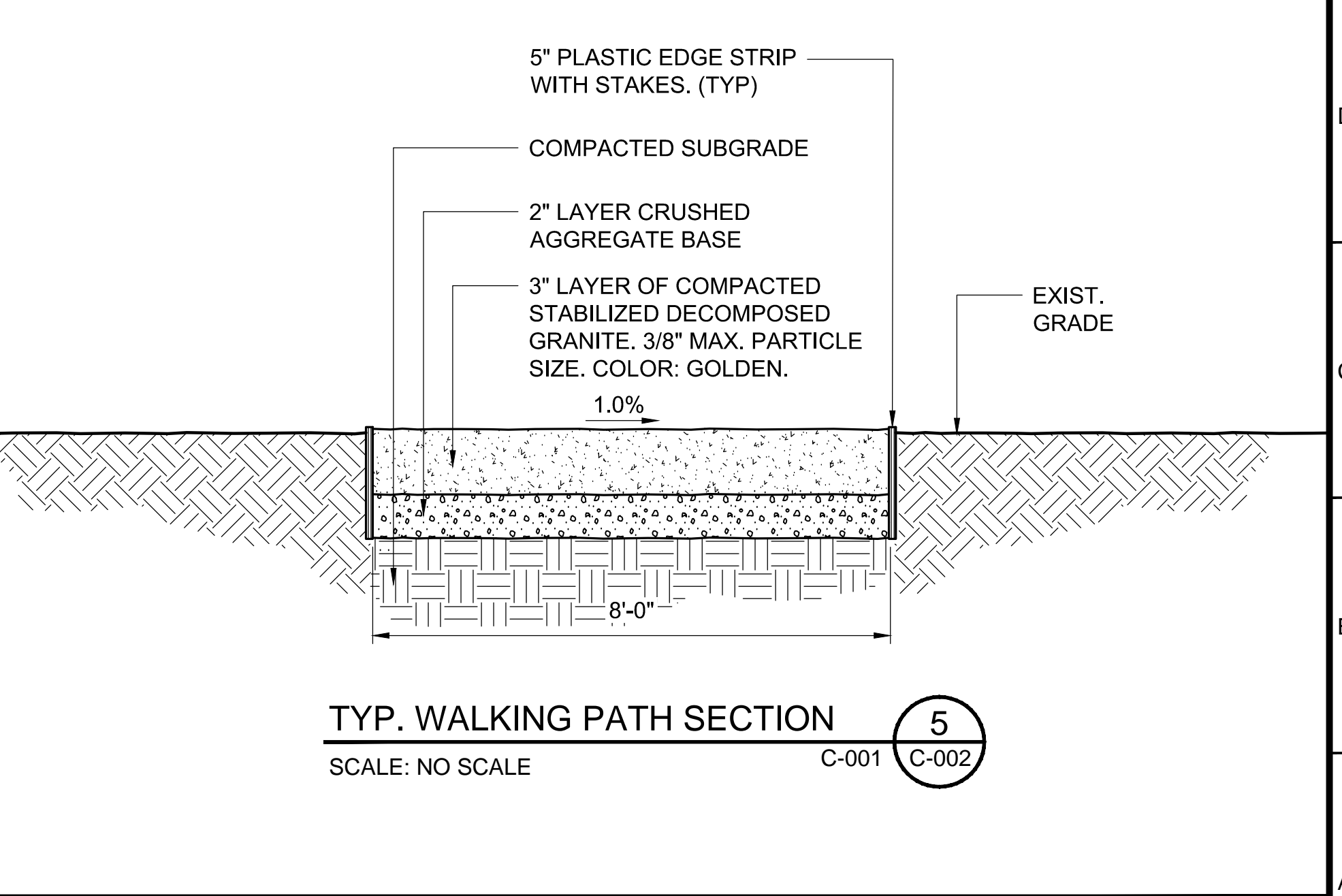
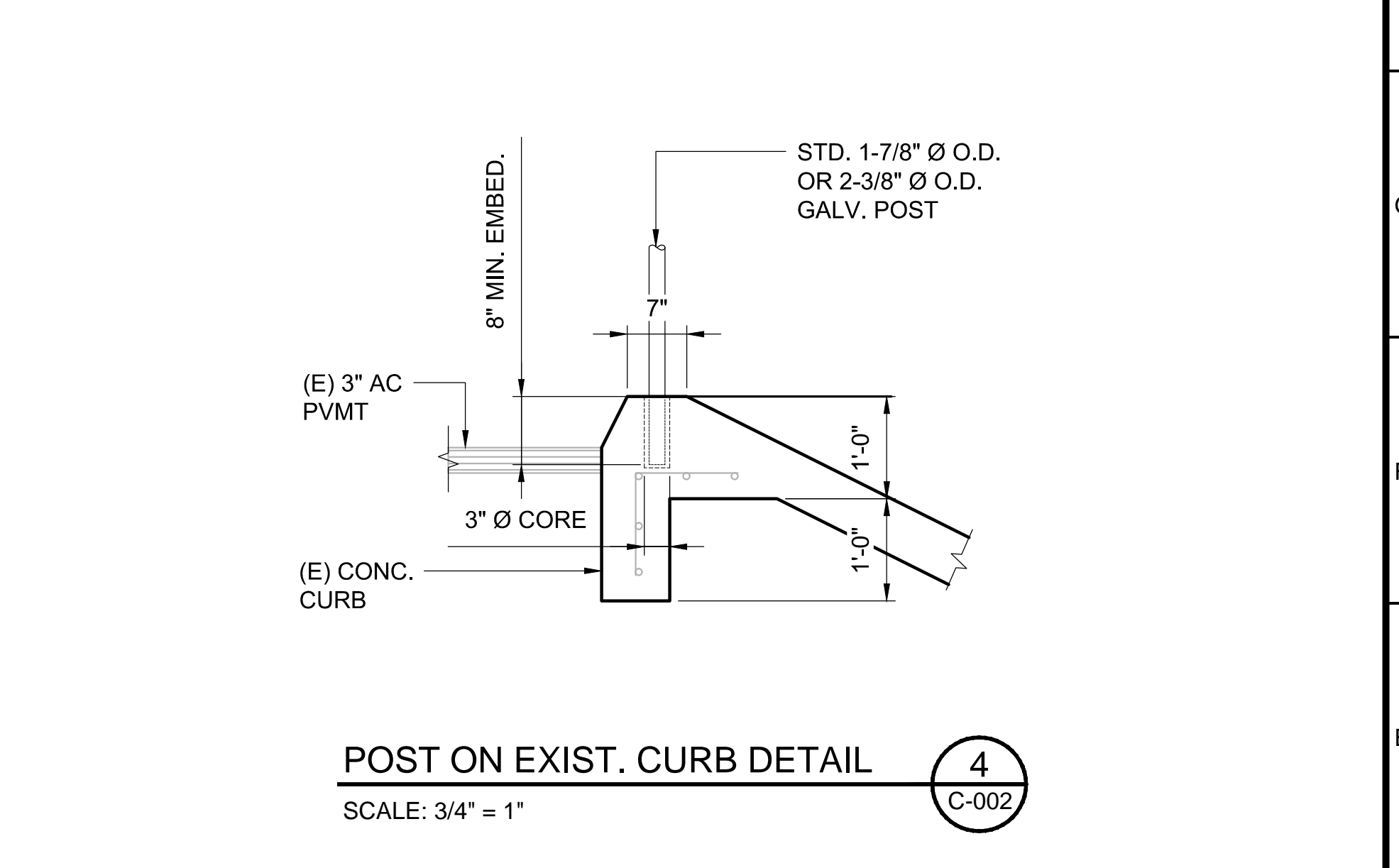
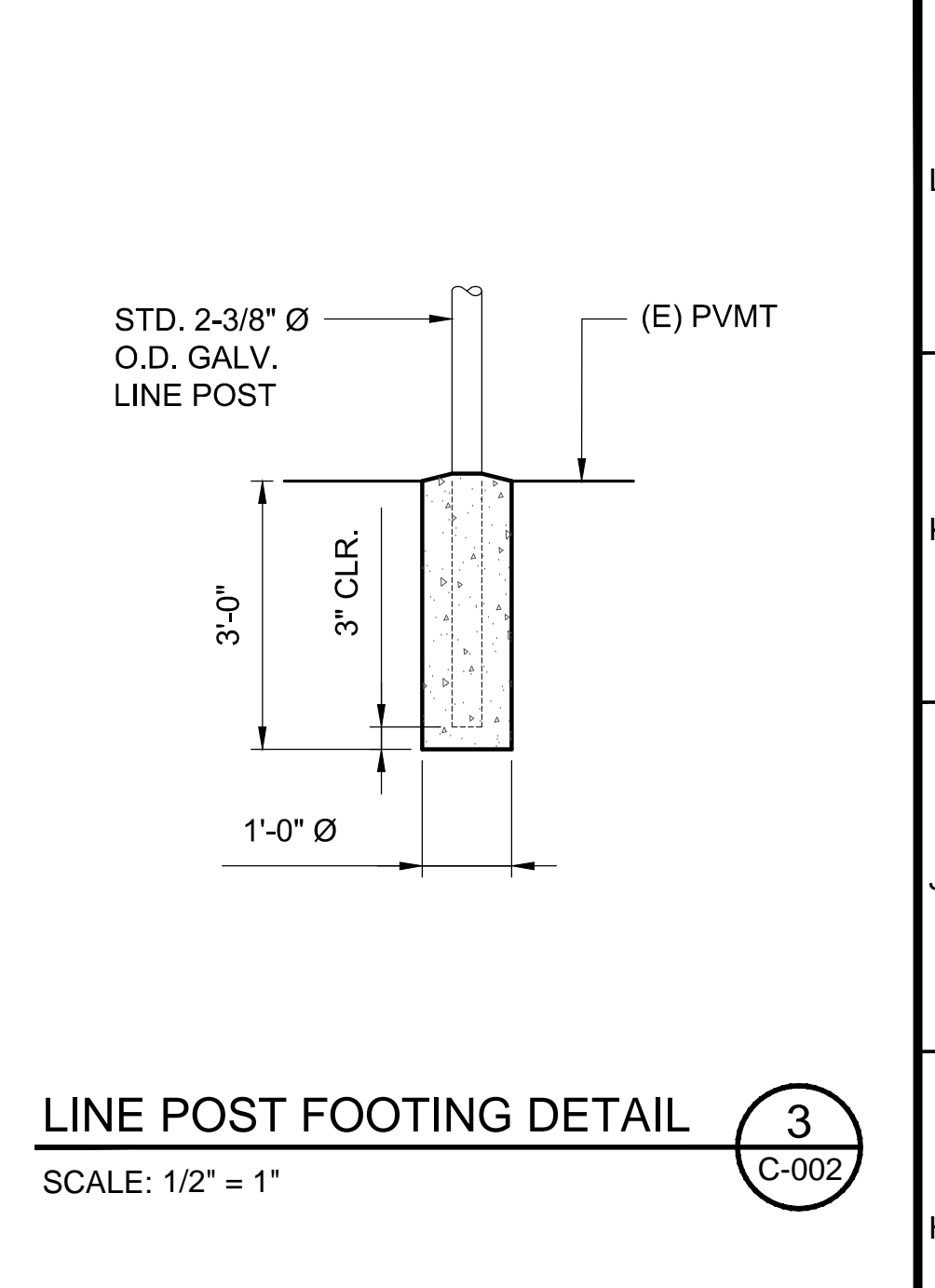
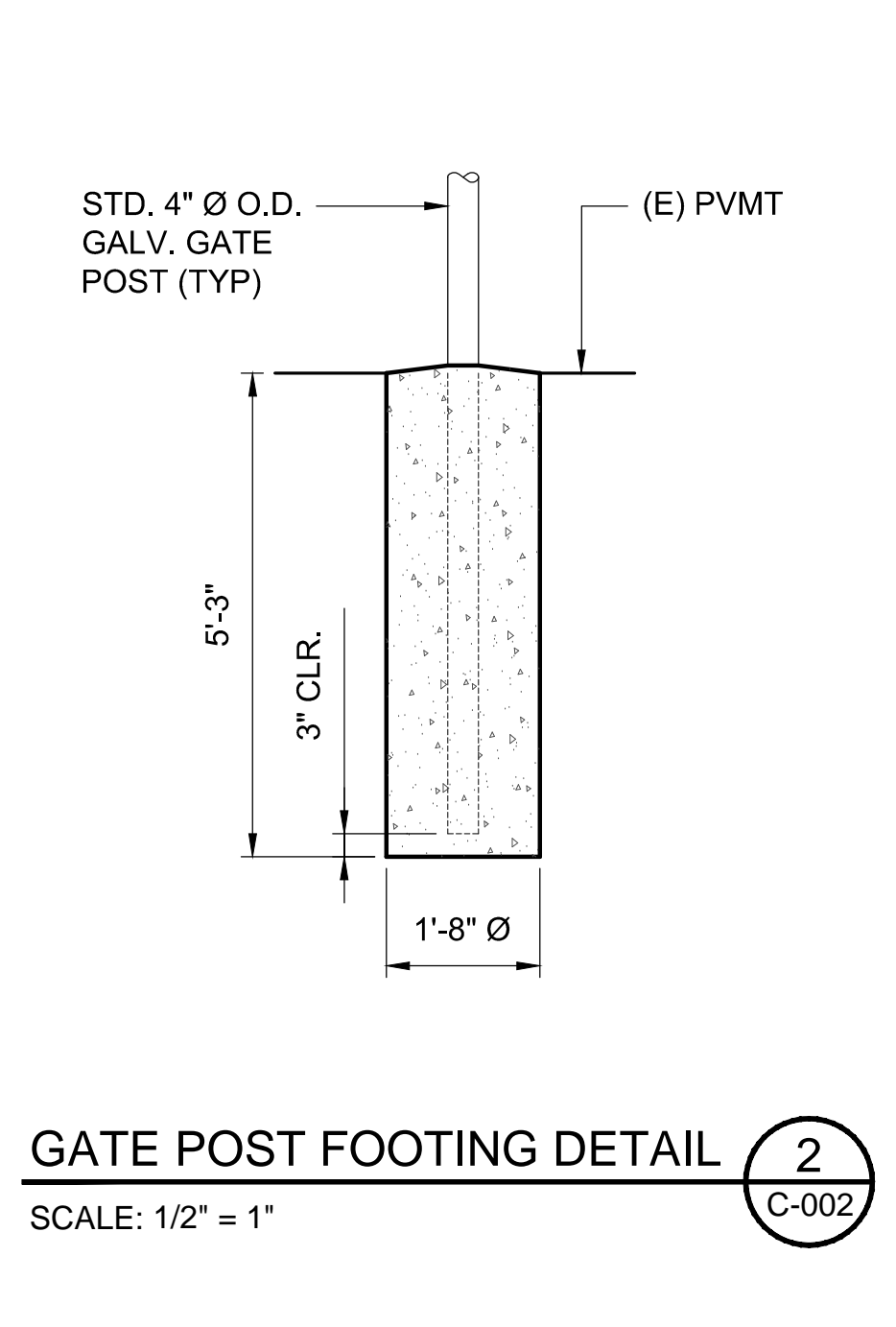
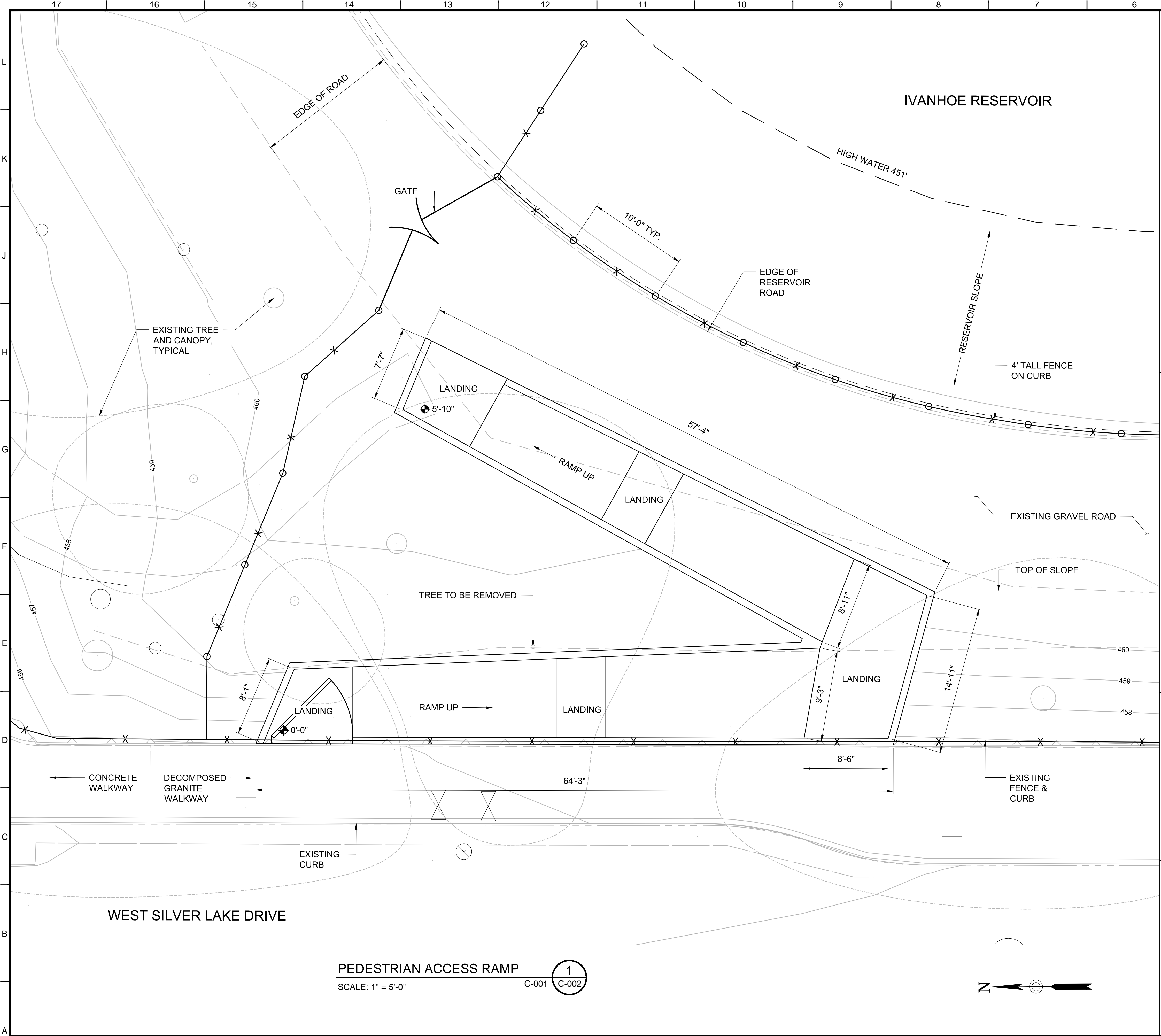


DXXXX-C-002



PEDESTRIAN ACCESS RAMP 1
SCALE: 1" = 5'-0" C-001 C-002

60% DESIGN
NOT FOR CONSTRUCTION

REVISIONS					
Number	Date	Initials	Location	Description	Approved

REFERENCES			APPROVED	
Scale	AS SHOWN	DATE	DATE	DATE
Designer	C. USHJIMA	01/18	As to Design	
Assistant	SUSAN ROWGHANI		As to Operation	
Drawn By	S. FAJACK	01/18	ANSELMO G. COLLINS	
Checked By	CUSHI	01/09/18	BREONIA LINDSEY	
Last Update			Senior Assistant GM of Water	
Recommended	EMMANUEL S. TAN		RICHARD F. HARASICK	
File Name	C-002.DWG	RAZMIK O. MANOUKIAN		

IVANHOE RESERVOIR PEDESTRIAN ACCESS CIVIL DETAILS

DEPARTMENT OF WATER AND POWER
CITY OF LOS ANGELES

DRAWING NUMBER
DXXXX-C-002

VERSION: 01.0